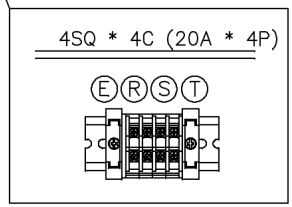
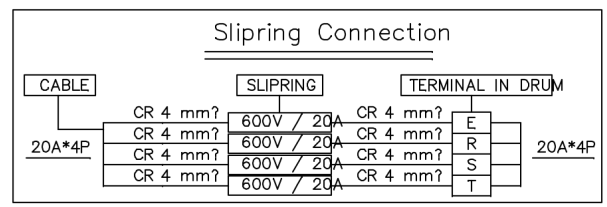
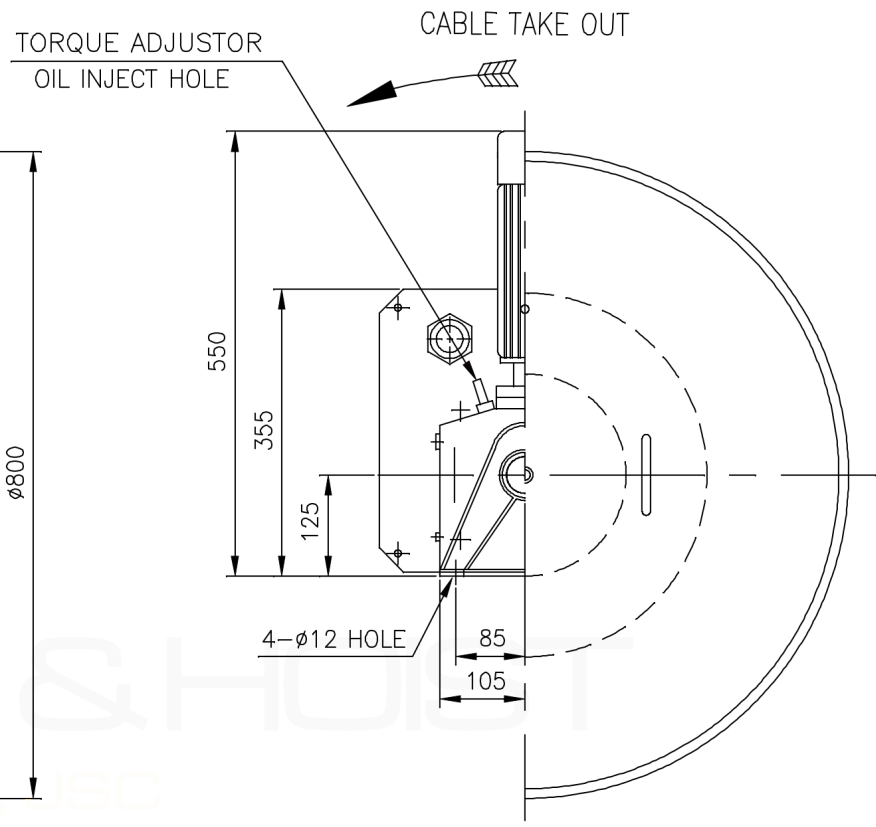
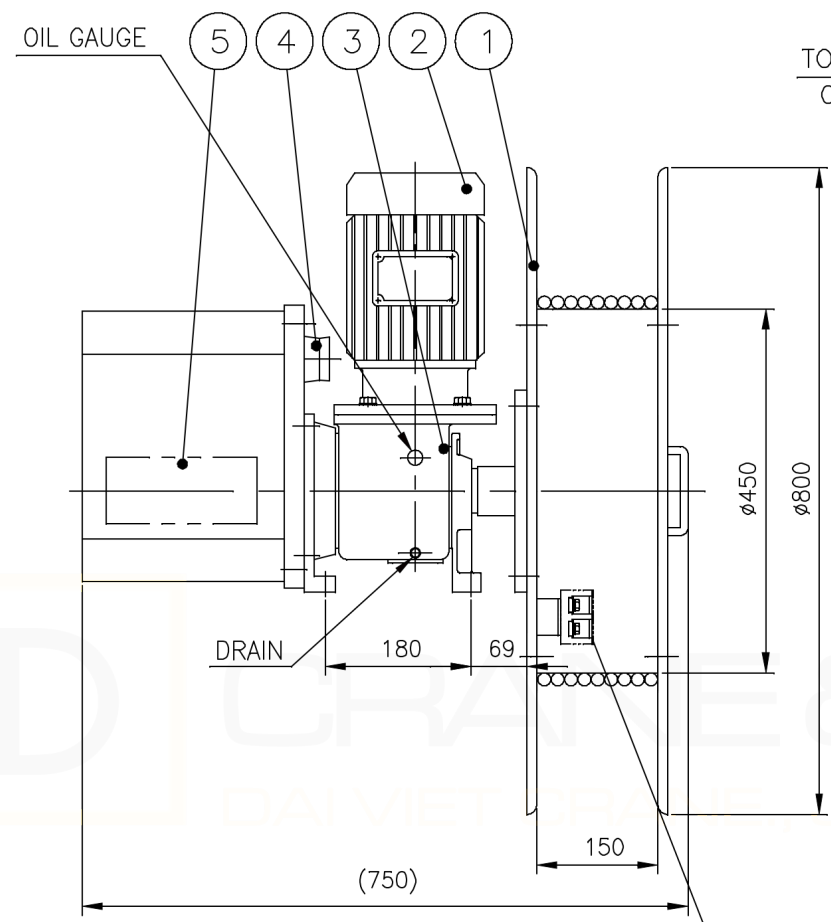
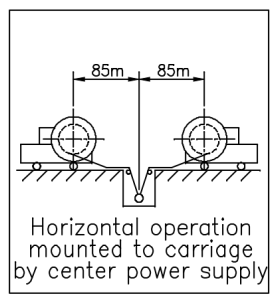
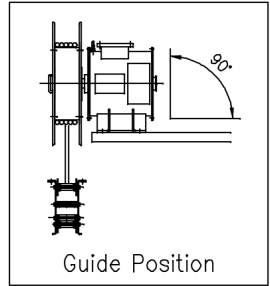
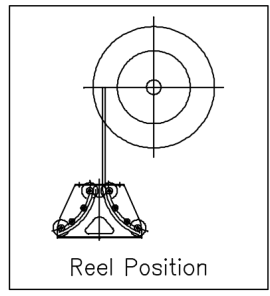


MARK	REVISIONS NO	REASONABLE RVISIONS	DATE	DWN	APVD



SPECIFICATION

- Cable
 - o PNCT 4sq x 4c
 - o Size : approx. 15.8 mm
 - o Weight : approx. 0.4 kg/m
 - o Length : 90M
- Traveling Length
 - Dead Turn _ 3M
 - Traveling _ 85M
- Traveling Speed max. 20 M/MIN
- Winding Torque 2 Kg.m
- Power Source : AC380V*3ph*50Hz
- Slip Ring : 20A x 4P
- Setting Height : Max. 2 m from G.L.
- Acceleration Time 3 sec.
- Feeding Method: Center Feeding Type
- Paint Color : MUNSELL No. 7.5 BG6/1.5 (Out Door-80um)
- Q' ty : 1 Set

5		SLIP RING	C3771	4	
4		CONNECTOR	-	1	
3		REDUCER	-	1	
2		MOTOR	KOREEL	1	0.75KW
1		DRUM	SPHC	1	
ITEM	PARTS NO.	PART NAME	MATERIAL	Q'TY	REMARKS
??	??	??	??	??	??

PROJECTION	DIMENSIONS	SCALE	MODEL
3rd ANGLE	METRIC (mm)	1 : 1	SF1-490-4
CUSTOMER	VNID	PART NAME	ASS'Y
MODEL COLOR	7.5 BG6/1.5	PART NO.	Z695-6000
DRAWING	DESIGN	CHECK	APPROVAL
SIGN	S.S.H	S.S.H	
DATE	2016.8.24	2016.8.24	

